



LHseries LH10

Two-way Loudspeaker System

FEATURES

- High quality plywood with special environmental protection paint
- Rotatable 90°×50° horn
- Flexible mounting options
- Top hat fitting for tripod
- Light weight, convenient to move and fix installation
- Used for moving performance, multi-purpose hall, conference room, hotel, KTV and band

产品特点

- 高质量单元配置，高强度夹板箱体
- 体积小、重量轻便于搬运和固定安装
- 多吊挂点与支撑配合，操作简便快捷
- 超长品质保证期：品质与信心的保证

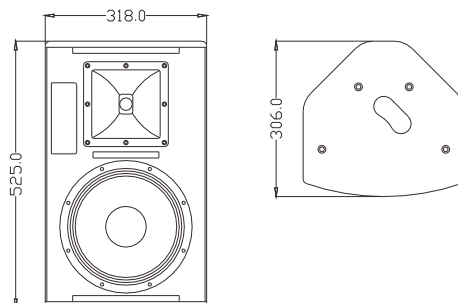
适用范围

- 用于全音域扩声、语言会议系统、高级卡拉OK包房
- 多功能厅、高级酒店会所
- 流动商演、乐队扩声以及舞台返送音箱

The LH10 is an all-purpose 2-way full-range loudspeaker designed for near-field contracting applications. Fitted with one 10" neodymium woofer and one 1" exit neodymium compression driver coupled to a rotatable horn.

LH10是一款10"两分音全音域音箱，采用一只10"强磁高效率低音单元，一只1"喉口44芯强磁高分子聚酯膜高音驱动器配置90°×50°可旋转号角，箱体采用多层复合夹板，特殊环保喷涂制作。

CONFIGURATION



FREQUENCY RESPONSE(-3dB)	60 Hz-18kHz
FREQUENCY RESPONSE(-10dB)	55 Hz-20kHz
DRIVERS	1×10"(250mm)/3"voice coil LF 1×1"(25mm)/1.7"voice coil HF
RATED POWER	250W RMS,1000W peak
SENSITIVITY	96dB 1watt/1 metre
MAXIMUM SPL	120dB continuous,126 dB peak
IMPEDANCE	8 ohms nominal
DISPERSION(-6dB)	90°×50°
CROSSOVER FREQUENCIES	2.5kHz passive
INPUT CONNECTORS	2× Speakon NL4
PACKAGE SIZE	391mm×380mm×605mm
NET WEIGHT	13 kg/pc
GROSS WEIGHT	14 kg/pc